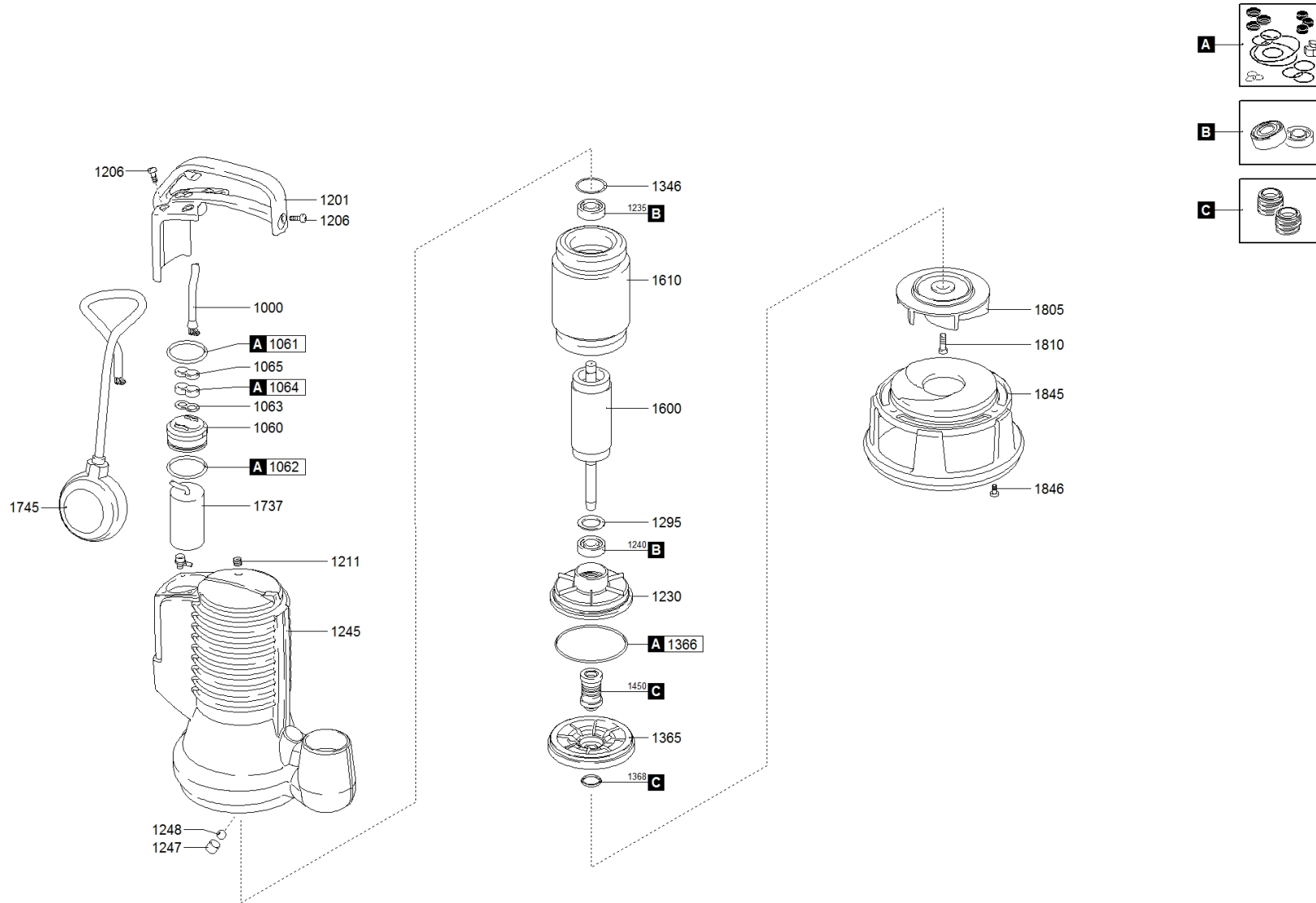


1102.008 - DGBLUEP 150/2/G50V A1CM5 NGTCB51U23NW0CX





water solutions



1102.008 - DGBLUEP 150/2/G50V A1CM5 NGTCB51U23NW0CX

		Code		Description		Q.ty	Price (€)
A		601008001		GASKETS KIT	-801156	1	
C		602008031		MECHANICAL SEALS KIT	-711079	1	
1000		250102304010200000		POWER CABLE		1	
1060		239768026156		HOLDER [CABLE GLAND]	805885	1	
1061		271770412835300000		UPPER GASKET - HOLDER [CABLE GLAND]	-711030	1	
1062		271770040952620000		LOWER GASKET - HOLDER [CABLE GLAND]		1	
1063		235467024279		CABLE STOP		1	
1063		2732001100000		CABLE STOP		1	
1064		235678024237		RUBBER GASKET	-711018	1	
1065		235467024241		CABLE GLAND	805884	1	
1201		235361024325		CABLE GLAND HANDLE	-804984	1	
1206		270830510140400000		SCREW [CABLE GLAND HANDLE >> COVER]		5	
1211		270139510104000000		CAP [TIGHTNESS TEST]	-802099	1	
1230		230556323606		LOWER BEARING HOLDER		1	
1235		2729062030200000		UPPER BEARING	-711360 or 802083	1	
1240		2729063030200000		LOWER BEARING	-750023	1	
1245		231016324971		MOTOR CASE		1	
1247		2307605724327		BUSH [BREATHER]		1	
1248		273077224326		BALL [BREATHER]		1	
1295		270220170241500000		UPPER DISTANCE RING [LOWER BEARING]	-711065	1	
1346		27542039100000		WAVE SPRING	-802283	1	
1365		2391120021023608		MECHANICAL SEAL FLANGE		1	
1366		271770107035000000		GASKET [LOWER BEARING HOLDER >> MECHANICAL SEAL FLANGE]		1	
1368		237970130190600000		V-RING [MECHANICAL SEAL FLANGE]		1	
1450		230005040150000000		MECHANICAL SEAL	-710995	1	
1600		230233611823937		SHAFT WITH ROTOR		1	
1610		231101181001000000		WOUND STATOR	-802366	1	
1737		2517028100000		CAPACITOR	-711022	1	
1805		21411400910623949		IMPELLER	-800234	1	
1810		270830610253200000		LOCKING IMPELLER		1	
1845		2145113023903		BASE	-800235	1	
1846		270830610123200000		SCREW [BASE >> MOTOR CASE]	-802092	3	

